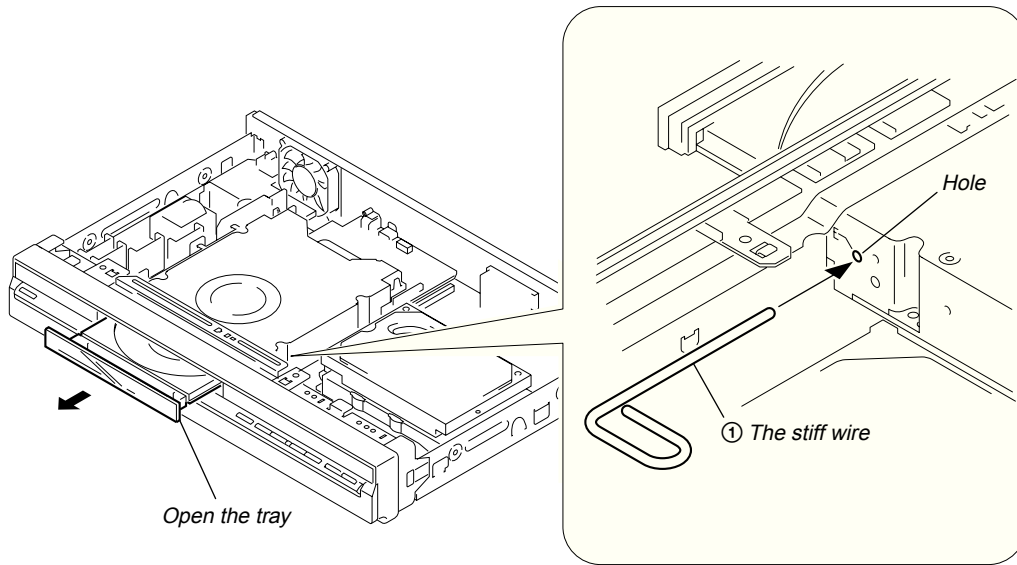


## SERVICE NOTE

### 1. DISK REMOVAL PROCEDURE IF THE TRAY CANNOT BE EJECTED (FORCED EJECTION)

1. Remove the upper case.
2. Insert the stiff wire in the hole and eject the tray.



### NOTES DURING THE FORCED EJECTION

1. If the forced ejection is executed while a blank disc media (DVD±RW, ±R) exists on the tray
  - Insert a DVD-ROM (DVD test disc, DVD software available on the market, or the like) in the tray and then close the tray.

**Note1:** If you close the tray while it is empty, ejection of the tray becomes impossible.

**Note2:** If you close the tray with a CD disc inserted in it, the CD can be ejected. However, if you close the tray while it is empty, there can be a case that ejection of the tray becomes impossible.

**Note3:** Even if you replace the DVD drive unit while the tray remains under the state as described above, the situation cannot be improved.
2. If the tray cannot be ejected while the disc is not inserted
  - Execute the forced ejection.
  - Insert a DVD-ROM (DVD test disc, DVD software available on the market, or the like) on the tray and try to close the tray. (There are cases that it recovers the trouble.)
3. Contents of forcibly ejected blank disc media (DVD±RW, ±R) can be damaged. (There can be a case that initialization is also impossible.)

### 2. BOARD CONNECTION, SERVICE REMOTE CONTROLLER

